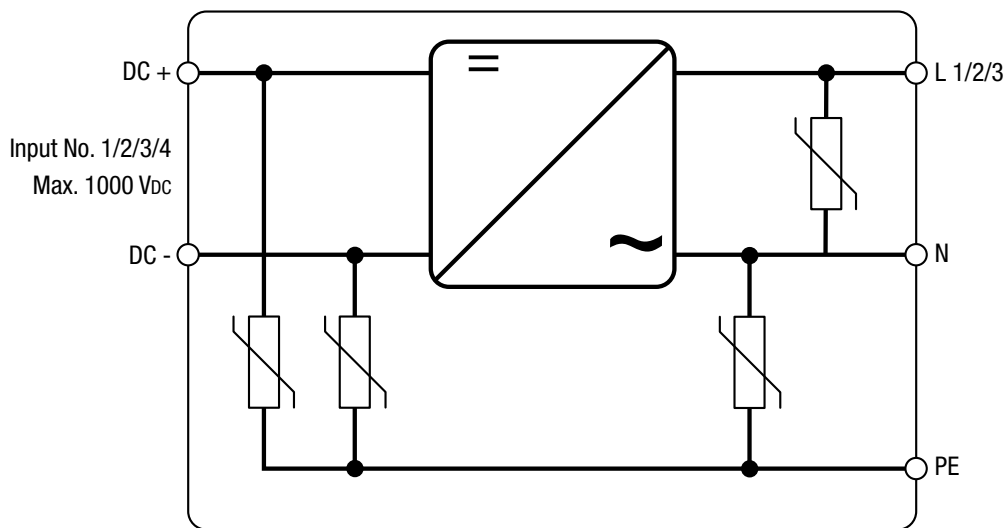


Overvoltage Protection Details

SolarMax 30/32HT4
SolarMax 32HT2



DC Varistor (Input Surge Protection) inside Inverter

Type:

- Epcos S25K750
- Compliant to EN 61643-11 (Type 2) and VDE 0675-6 (Type C)

Specifications (maximum ratings):

- V_{RMS} 750 V
- V_{DC} 1060 V
- I_{max} 20'000 A (8/20 μ s Pulse)
- W_{max} 1025 J (2 ms)
- P_{max} 1 W

AC Varistor (Output Surge Protection) inside Inverter

Type:

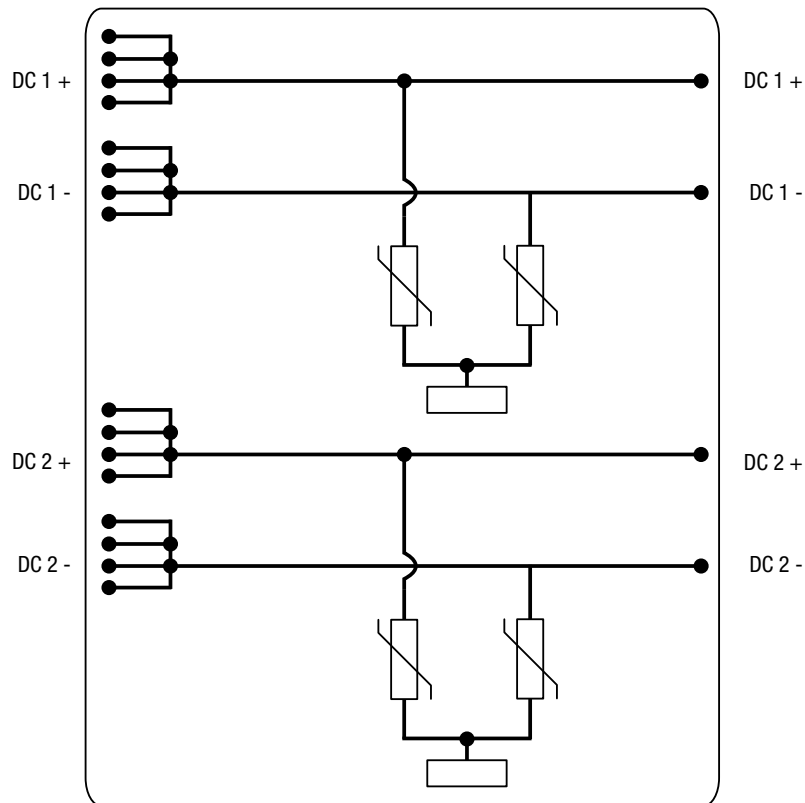
- Epcos S20K300
- Compliant to EN 61643-11 (Type 3) and VDE 0675-6 (Type D)

Specifications (maximum ratings):

- V_{RMS} 300 V
- V_{DC} 385 V
- I_{max} 8000 A (8/20 μ s Pulse)
- W_{max} 173 J (2 ms)
- P_{max} 1 W

Overvoltage Protection Details

Connection Box SolarMax 32HT2



Surge Protection Connection Box

Phoenix Contact

- Overvoltage protection: VAL-MS-T1/
T2-1000 VDC-PV-ST (Art. Nr. 2801162)
- Compliant to EN 50539-11 (Type T1/T2)

Specifications (maximum ratings):

- I_n 15 kA (8/20 μ s Pulse)
- I_{imp} 5 kA (10/350 μ s Pulse)
- W_{max} 40'000 A (8/20 μ s Pulse)
- I_{total} 40'000 A (8/20 μ s Pulse)
- I_{total} 5'000 A (10/350 μ s Pulse)